

**Multiconnection Multifaster M201 series**

RF series quick-release couplings are also available integrated within a multiconnection system.

In this way the well consolidated technology characterizing Multifaster products gives benefits when in refrigerant fluids application too.

Thanks to the cam lever system with **M201** series multiconnection it is possible to connect and disconnect simultaneously and with minimal overall dimensions 2 lines 3/8" size.

**UL Listed: File N° SA13163.**

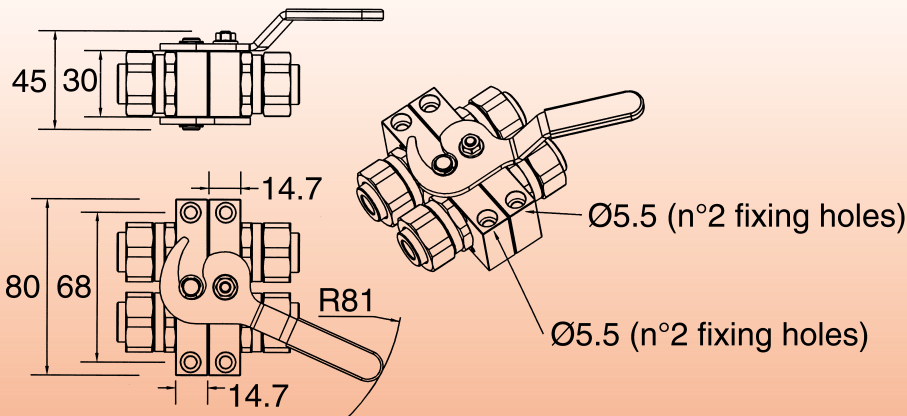
UL marking on request.



Patent Applications Pending


**Technical data**

|                                   |                                       |
|-----------------------------------|---------------------------------------|
| Coupling size                     | 3/8" (06)                             |
| Working pressure connected        | 11,3 MPa (1638 PSI)                   |
| Working pressure male part        | 8 MPa (1160 PSI)                      |
| Working pressure female part      | 6 MPa (870 PSI)                       |
| Spillage (for each coupling)      | 0.05 cc. max.                         |
| Air inclusion (for each coupling) | 0.05 cc. max.                         |
| Working temperature               | from -25°C (-13°F) to +140°C (+284°F) |
| Seals                             | Hydrogenated Nitrile Rubber (HNBR)    |



Images refer to one possible configuration. For further details please contact **Faster Technical Dept.**

**Quick-release couplings for Multiconnection M201 series (brazing adaptors)**

| ❖  | Female coupling     | Male coupling       | Ø Hole brazing adaptor | Seals material | Adaptor tightening torque Nm     |
|----|---------------------|---------------------|------------------------|----------------|----------------------------------|
| 06 | *KIT RFB06 TS095 FH | *KIT RFP06 TS095 MH | 9,7 mm.                | HNBR           | 20 <sup>+5</sup> / <sub>-0</sub> |
|    | *KIT RFB06 TS125 FH | *KIT RFP06 TS125 MH | 12,8 mm.               | HNBR           |                                  |

❖ Size